



Модернизация, комплексен ремонт и поддръжка на индустриална техника. Инфраструктурно строителство и мениджмънт. Комплексно строителство на железопътна инфраструктура, поддръжка на специализирана механизация и по движен състав.

e-mail: web@remtechnology.eu
web: www.remtechnology.eu

Fax: +359(52)319990 phone: +359 (52)319980 mobile: +359(888)204989
+359 (52)319990 +359(888)265877

ДОСТАВКА, ИЗРАБОТКА И РЕМОТ НА КОФИ ЗА БАГЕРИ И ЧЕЛНИ ТОВАРАЧИ (0.7 ДО 200 Т)

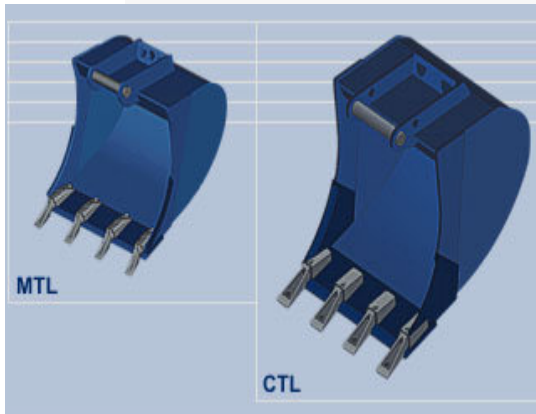
Lehnhof® - buckets for mini / compact excavators

Bucket know-how for mini / compact excavators

Just like their big brothers, the backhoe buckets for 0.7 to 12 t mini/compact excavators satisfy maximum quality demands. The shaping featuring a stretched cutting edge and a curved side cutting edge makes for optimal penetration into the material and full buckets.

Excavators 0.7-12 t

- [Backhoe buckets](#)
- [Tilting buckets](#)



- Robust 400 HB steel bucket base
- Lehnborit 5000 (500 HB) cutting edge
- Side cutting edge with 400 HB wear-resistant sheets
- Drop-forged, hardened Lehnhof® teeth
- Easy filling and little wear due to biconical bucket design. Ideally suited for excavating narrow ditches.

Mini excavator

type	Excavator	Cutting width [mm] / SAE Capacity [ltr.]					
MTL 1	0,8 - 1,5 t	260 / 30	300 / 35	400 / 40	500 / 60	600 / 70	
MTL 2	1,5 - 2,6 t	300 / 40	400 / 60	500 / 80	600 / 97	700 / 117	
MTL 3	2,6 - 3,5 t	300 / 56	400 / 75	500 / 100	600 / 127	700 / 153	800 / 180
MTL 4	3,5 - 5,0 t	300 / 66	400 / 96	500 / 130	600 / 162	700 / 195	800 / 230

Compact excavator

type	Excavator	Cutting width [mm] / SAE Capacity [ltr.]						
CTL 5	6,0 - 8,0 t	300 / 90	400 / 130	500 / 170	600 / 210	800 / 300	900 / 340	
CTL 10	8,0 - 12,0 t	300 / 105	400 / 155	500 / 200	600 / 255	800 / 360	900 / 410	1000 / 460

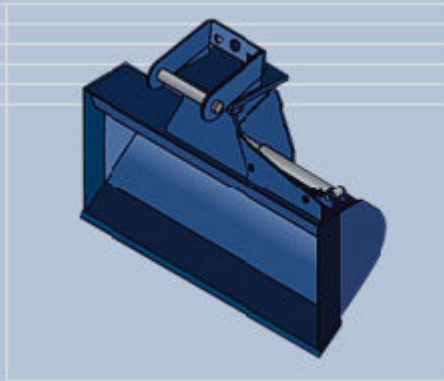


Модернизация, комплексен ремонт и поддръжка на индустриална техника. Инфраструктурно строителство и мениджмънт. Комплексно строителство на железопътна инфраструктура, поддръжка на специализирана механизация и по движен състав.

e-mail: web@remtechnology.eu
web: www.remtechnology.eu

Fax: +359(52)319990 phone: +359 (52)319980 mobile: +359(888)204989
+359 (52)319990 +359(888)265877

Tilting buckets Lehnhof 's tilting buckets for 0.7 to 12 t mini / compact excavators are perfectly suited for making ditches or excavating alongside walls or houses.



- Large tilting range of 2 x 50°
- Compact bucket shape for narrow ditches
- Sturdy and wear-resistant: Lehborit 5000 (500 HB) cutting edge and side cutting edge
- Including hydraulic cylinder, pressurizing valve and hoses up to the tilting head
- All buckets are also available as rigid version

Mini excavator

Type	Excavator	Cutting width [mm] / SAE Capacity [ltr.]		
MG 5	1,5 - 2,6 t	850 / 77	1000 / 92	1200 / 117
MG 20	2,6 - 5,0 t	1000 / 150	1200 / 180	1400 / 208

Compact excavator

Type	Excavator	Cutting width [mm] / SAE Capacity [ltr.]		
CG 5	6,0 - 8,0 t	1500 / 280		
CG 10	8,0 - 12,0 t	1500 / 350		

Lehnhof® backhoe buckets Modular system:

Backhoe buckets for hydraulik excavators

- For excavating medium to heavy soils
- Easy penetration and emptying due to biconical bucket design
- Long service life due to robust weldment and matching steels
- Basic bucket with wear-resistant 400 HB base and Lehborit 5000 (500 HB) cutting edge
- Heavy-duty (HD) version with Lehborit 5000 (500 HB) wear-protection parts
- Lehnhof® Torpedo tooth, Lehnhof® F-tooth or other system

Excavators 10 - 50 t

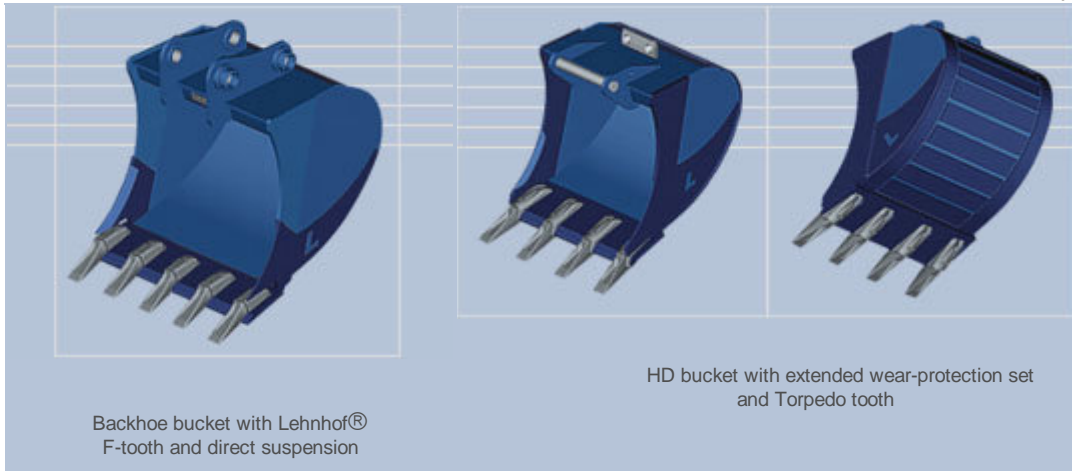
- [Backhoe buckets](#)
- [Tilting ditch buckets](#)
- [Universal tilting buckets](#)



Модернизация, комплексен ремонт и поддръжка на индустриална техника. Инфраструктурно строителство и мениджмънт. Комплексно строителство на железопътна инфраструктура, поддръжка на специализирана механизация и по движен състав.

e-mail: web@remtechnology.eu
web: www.remtechnology.eu

Fax: +359(52)319990 phone: +359 (52)319980 mobile: +359(888)204989
+359 (52)319990 +359(888)265877



Backhoe bucket with Lehnhof®
F-tooth and direct suspension

HD bucket with extended wear-protection set
and Torpedo tooth

HTL 15 Excav. 10 - 15 t

Cutting width[mm]	400	500	600	700	800	900	1000	1100	1200		
SAE-capacity[Ltr.]	180	250	325	400	480	560	640	720	800		

HTL 20 Excav. 15 - 19 t

Cutting width[mm]	400	500	600	700	800	900	1000	1100	1200	1300	1400
SAE-capacity[Ltr.]	220	300	380	470	560	660	750	850	940	1040	1130

HTL 25 Excav. 18 - 23 t

Cutting width[mm]	600	700	800	900	1000	1100	1200	1300	1400	1500	
SAE-capacity[Ltr.]	430	525	630	730	840	940	1050	1160	1260	1370	

HTL 30 Excav. 22 - 28 t

Cutting width[mm]	600	800	1000	1200	1400	1500	1600				
SAE-capacity[Ltr.]	475	700	930	1170	1410	1530	1650				

HTL 35 Excav. 26 - 40 t

Cutting width[mm]	800	1000	1200	1500	1600	1800					
SAE-capacity[Ltr.]	850	1130	1420	1870	2020	2320					

HTL 40 Excav. 40 - 50 t

Cutting width[mm]	1000	1200	1400	1500	1600	1800					
SAE-capacity[Ltr.]	1340	1690	2040	2220	2400	2760					



Модернизация, комплексен ремонт и поддръжка на индустриална техника. Инфраструктурно строителство и мениджмънт.
 Комплексно строителство на железопътна инфраструктура, поддръжка на специализирана механизация и по движен състав.

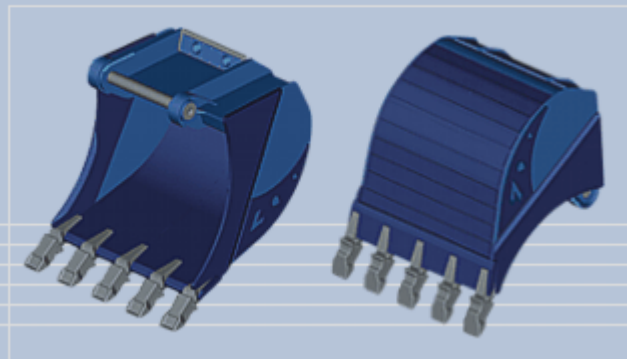
e-mail: web@remtechnology.eu
 web: www.remtechnology.eu

Fax: +359(52)319990 phone: +359 (52)319980 mobile: +359(888)204989
 +359 (52)319990 +359(888)265877

Lehnhof® large excavator buckets

Heavy-duty buckets for tough excavation work and quarrying

Lehnhof® heavy-duty buckets are built for maximum breakout forces when digging out, loosening or loading natural soil on large construction sites or blasted rock in quarries. The additional wear protection provided by Lehnhof® ensures a long service life, distantly above average.



- Long service life and high torsion resistance due to robust weldments and function-specific selection of steels
- Strong dimensioning of 400 HB steel bases and side walls
- Wear protection parts of 400 HB and 500 HB high-carbon steels
- Cutting edge in straight design, also available as trapezoidal or pointed cutting edge
- Tooth system and version as required
- With direct suspension or with Lehmatic quickcoupler system

Type	Excavator	Cutting width [mm] / SAE capacity [m ³]				
HTL 50HD	50 - 60 t	1400 / 2,2	1600 / 2,5	1800 / 2,9	2000 / 3,2	2200 / 3,5
HTL 60HD	55 - 70 t	1400 / 2,6	1600 / 2,9	1800 / 3,3	2000 / 3,6	2200 / 4,0
HTL 70HD	70 - 90 t	1600 / 3,5	1800 / 3,9	2000 / 4,3	2200 / 4,8	2400 / 5,3
HTL 90HD	90 - 120 t	1600 / 4,5	1800 / 5,0	2000 / 5,6	2200 / 6,2	2400 / 6,8



Модернизация, комплексен ремонт и поддръжка на индустриална техника. Инфраструктурно строителство и мениджмънт.
 Комплексно строителство на железопътна инфраструктура, поддръжка на специализирана механизация и по движен състав.

e-mail: web@remtechnology.eu
 web: www.remtechnology.eu

Fax: +359(52)319990 phone: +359 (52)319980 mobile: +359(888)204989
 +359 (52)319990 +359(888)265877

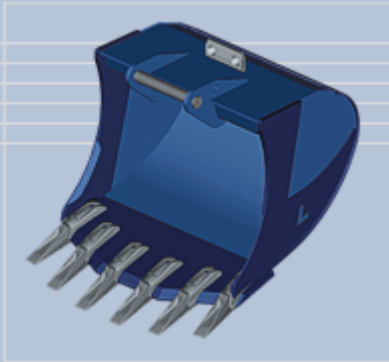
Lehnhof® Attachments for demolition and rock applications

Heavy-duty buckets for demolition and rock

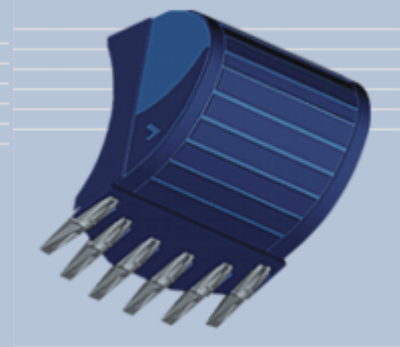
- For extreme applications involving high breakout forces
- Long service life: high-stressed areas with added reinforcement and wear protection
- 400 HB steel base and side walls
- Cutting edge and wear-resistant plates on the bucket base: Lehnborit 5000 (500 HB)
- Lehnhof® Torpedo teeth, other brands as an option

Demolition & rock

- [Sorting bucket](#)
- [Heavy-duty bucket](#)
- [Ripper tooth & demolition arm](#)



Heavy-duty bucket



Type	Excavator	Cutting width [mm] / SAE capacity [ltr.]	
HTL 25HD	18 - 23 t	2000 / 785	2200 / 850
HTL 30HD	22 - 28 t	2000 / 1050	2200 / 1160
HTL 35HD	26 - 40 t	2000 / 1250	2200 / 1380
HTL 40HD	40 - 50 t	2000 / 1450	2200 / 1600



Модернизация, комплексен ремонт и поддръжка на индустриална техника. Инфраструктурно строителство и мениджмънт. Комплексно строителство на железопътна инфраструктура, поддръжка на специализирана механизация и по движен състав.

e-mail: web@remtechnology.eu
web: www.remtechnology.eu

Fax: +359(52)319990 phone: +359 (52)319980 mobile: +359(888)204989
+359 (52)319990 +359(888)265877

Lehnhof® Attachments for demolition and rock applications

Demolition work poses maximum demands on machinery and tools. Bucket body, cutting edge and teeth of the backhoe bucket are exposed to extreme alternating stresses especially during breakout and digging work on solid building structures. For these applications, Lehnhof® offers solutions of top quality and function. The high-grade, heavy-duty buckets are the perfect tool for both quarries, when digging out, loosening and loading rocks, and for demolition work and recycling.

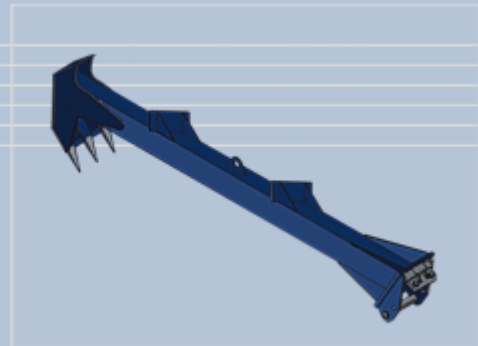
Demolition & rock

- [Sorting bucket](#)
- [Heavy-duty bucket](#)
- [Ripper tooth & demolition arm](#)



Ripper tooth for hydraulic excavators

- Exchangable tooth point
- Lehnhof® Torpedo teeth or other brands
- For all types of demolition work and quarrying



Demolition arm for hydraulic excavators

- Rigid version with 2 deflector plates
- Sturdy box- type design of rectangular sections
- With cutting edge and 3 Lehnhof® Torpedo teeth
- Mounting via Lehmatic or direct on the excavator stick

Ripper tooth

Type	Tooth radius [mm]	Angle
RZ 20	950	35°
RZ 30	1150	35°
RZ 35	1250	35°
RZ 40	1350	35°

Demolition arm

Typ	Length [mm]	Weight [kg]
AA 50	5000	990
AA 60	6000	1050
AA 70	7000	1150
AA 80	8000	1480



Модернизация, комплексен ремонт и поддръжка на индустриална техника. Инфраструктурно строителство и мениджмънт. Комплексно строителство на железопътна инфраструктура, поддръжка на специализирана механизация и по движен състав.

e-mail: web@remtechnology.eu
 web: www.remtechnology.eu

Fax: +359(52)319990 phone: +359 (52)319980 mobile: +359(888)204989
 +359 (52)319990 +359(888)265877

Lehmatic® Quickcoupler system: an idea has caught on

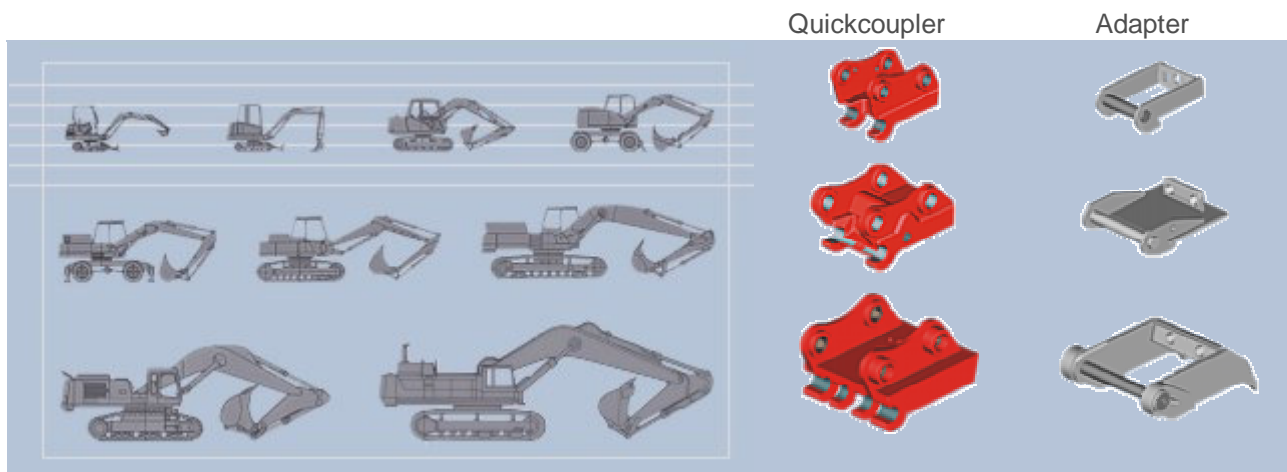
Higher productivity, better versatility in practical use

The Lehmatic quickcoupler system turns any hydraulic excavator, from a miniexcavator to a large hydraulic excavator, into a multifunctional tool carrier for all buckets, grabs and demolition tools in its category. A universal adapter system allows the use of all attachments on different excavator brands.

Lehmatic®

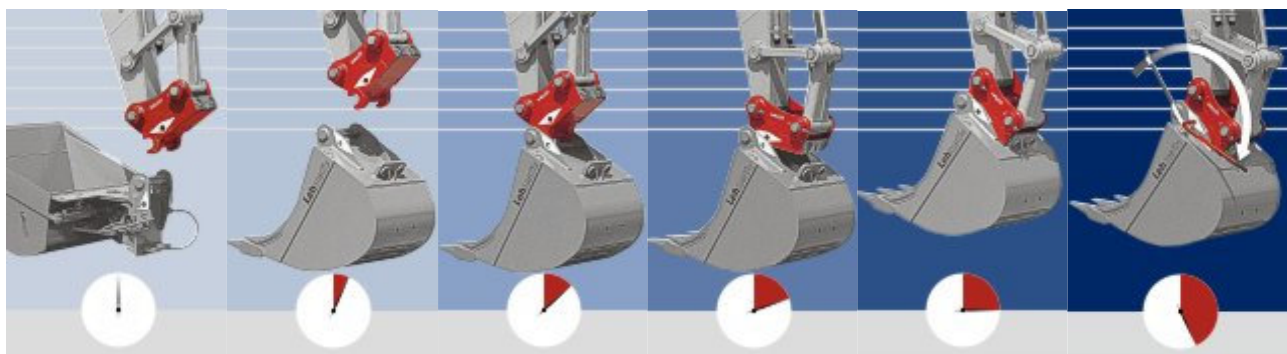


One system idea - two components:



Lehmatic: the principle

Retrofitting a hydraulic excavator from one attachment to another in less than a minute? Go for the Lehmatic quickcoupler system.



The attachment is engaged, raised, tilted in and locked using the two coupling claws of the Lehmatic quickcoupler. The excavator operator can do all these steps by himself without the need of outside help - and when hydraulic locking is available, he can even stay in his cab !



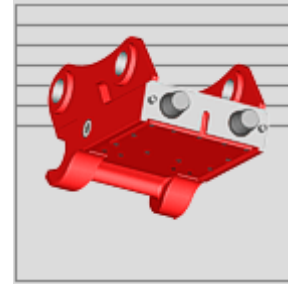
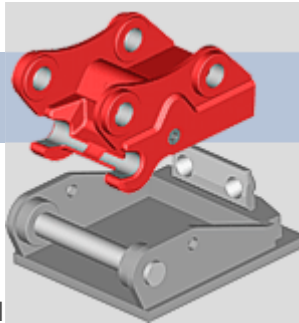
Модернизация, комплексен ремонт и поддръжка на индустриална техника. Инфраструктурно строителство и мениджмънт. Комплексно строителство на железопътна инфраструктура, поддръжка на специализирана механизация и по движен състав.

e-mail: web@remtechnology.eu
web: www.remtechnology.eu

Fax: +359(52)319990 phone: +359 (52)319980 mobile: +359(888)204989
+359 (52)319990 +359(888)265877

The function

The Lehmatic quickcoupler is locked to the attachment either mechanically, using two locking pins and dead center locking by means of a socket wrench, or hydraulically, via a hydraulic cylinder and locking pins secured with check valves.



Lehmatic with extended locking pins

Lehmatic: Excavator categories

Excavator categorie	-2 t	-5 t	-12 t	-19 t	-28 t	-40 t -55 t	-70 t -90 t	-120 t
Quick-coupler								100
							40	
						40		
					25			
				21				
			10					
		08						
		03						
Adapter	SW 01	SW 03	SW 08	SW 10	SW 21 / 25	SW 40	SW 100	

Technische Daten

Lehmatic-Types	MS 01	MS 03	MS/HM 08	MS/HS 10	MS/HS 21	MS/HS 25	HS 40	HS 100
Exc. category[t]	0,7 - 2	1,5 - 5	5 - 12	10 - 19	18 - 28	26 - 40	40 - 70	70 - 120
Length [mm]	235	295	400	520	545	545	760	1100
Width [mm]	180	200	290	395	495	495/600	750	1000
Weight [kg]	15	25	75	170	270	310	600-800	1300-1500
Adapter	SW 01	SW 03	SW 08	SW 10	SW 21/25	SW 40	SW 100	
Shaft ψ [mm]	40	50	60	70	80	100	140	